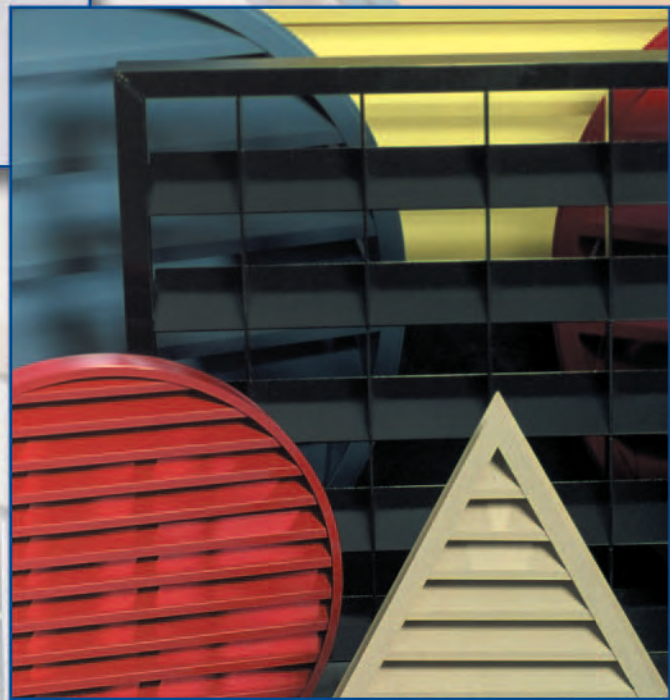
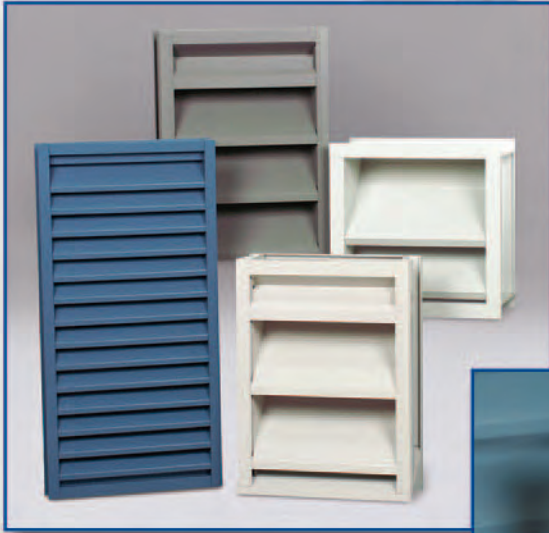


RELIABLE

ARCHITECTURAL LOUVERS & GRILLES



www.reliablelouvers.com

Reliable Products



Reliable employees strive to provide the very best in quality and service.

Reliable Products manufactures quality architectural and mechanical louvers for the construction and hospitality industry. The industry leader in thru-the-wall PTAC louvers, Reliable also offers a full line of wall louvers for intake and exhaust applications. Whether your job is new construction or renovation, large or small; Reliable can provide the right louvers on any future project. Let our experienced sales and engineering staff assist you on any standard or special applications you may have.

Reliable's commitment to product development has produced a wide variety of louver models for almost every application. Many years of joint R&D efforts with all major PTAC manufacturers has produced the AEL Series Louvers, which are manufacturer-approved for use on their equipment. These louvers are designed to the exact performance and installation requirements

of each PTAC unit, and are available for standard or special size units. Reliable utilizes the latest in louver design technology and manufacturing processes to increase the performance and value of our products. Special drainable frame and blade systems are utilized on many models to provide even more protection from water penetration than standard louvers. Models are available with all-welded construction, making them stronger and more durable than most mechanically fastened louvers. Horizontal and vertical blade Weather Resistant Louvers featuring AMCA licensed wind driven rain performance are offered for the most demanding applications. And in-house Kynar® paint and anodize finish lines ensure high quality finished products that are delivered quickly.

Reliable offers the highest quality louver products available for a variety of applications. Whether your need is for PTAC or other specialty thinlines, intake/ exhaust wall louvers or louvers to prevent the entrance of wind driven rain, Reliable Products has a product for your application. When it comes to louvers, choose Reliable Products!

APPLICATIONS

The AEL Series louvers are used in numerous applications with the most frequent being hotel/motel new construction and renovations. Other uses are retirement and nursing homes, extended care facilities, college dorms, hospitals and offices. They are also used for sunscreens, penthouses and equipment screens.

STATIONARY, SIGHTPROOF AND DRAINABLE LOUVERS

Used for air intake or exhaust in wall-mounted applications. Non-drainable models provide attractive continuous blade appearance and are available in special round and triangular shape configurations. Sightproof models offer complete sight restriction and prevents tampering through the louvers. Drainable models combine high air performance and high rain penetration protection.

WEATHER RESISTANT LOUVERS

The ultimate in weather protection for wall applications. Where standard louvers are designed to minimize water penetration under "still air" conditions, Weather Resistant louvers are designed specifically to prevent the intrusion of wind driven rain. Each model is tested under simultaneous severe rain, wind and system airflow conditions. Utilizing these models ensures the highest level of protection available against water penetration in any situation. They also provide solutions for high airflow/small opening conditions common to many retrofit and air handler applications.



ADJUSTABLE AND COMBINATION LOUVERS

Wall louvers that provide the air shut-off capability often required in warehouse and emergency generator applications. Adjustable Louver blades operate from open to close, preventing airflow when unneeded or under inclement weather situations. Combination Louvers combine front stationary louver blades with rear operating blades to create a consistent exterior appearance regardless of the operable blade position. Both Adjustable and Combination Louvers are available with a variety manual, electric and pneumatic actuators.

MATERIALS

Reliable louvers are fabricated from 6063-T5 and T-52 alloy aluminum extrusions. Reliable is careful to use only quality material during fabrication of our louver products to insure customer satisfaction. Specification sheets are available upon request that outline various material shapes, designs, dimensions and material thickness.

FINISHES

Reliable features in-house Kynar paint and anodize finish capabilities. Available painted finishes include 50% Kynar Baked Enamel, 2-coat Kynar 500 in solid and mica colors, and 3-coat Kynar 500 in exotic and metallic colors. Painted finishes requiring special colors are computer matched in-house from customer provided samples. A limited 20-year warranty is available on most painted finishes. Anodize finishes offered include Class 1 & 2 Clear and Color anodize. Color anodize is available in Light, Medium & Dark Bronze and Black. All finishes are completed in our manufacturing/paint facilities ensuring quick delivery of our product.

Selector Guide

MODEL	DEPTH	BLADE TYPE – SPACING	FREE AREA
Stationary Fixed Blade Louvers			
15030Z	1.5	Horizontal – 1.5"	51%
15045RZ	1.5	Horizontal – 1.5"	50%
15045Z	1.5	Horizontal – 1.5"	43%
245RB	2	Horizontal – 3.188"	42%
245D	2	Horizontal – 2.444"	38%
430RB*	4	Horizontal – 4"	61%
430RD*	4	Horizontal – 4"	56%
4375Z*	4	Horizontal – 5.094"	54%
4375B	4	Horizontal – 4.750"	56%
4375D*	4	Horizontal – 5.094"	54%
445RB5*	4	Horizontal – 5.094"	53%
445RB*	4	Horizontal – 4"	53%
445RD5*	4	Horizontal – 5.094"	53%
445RD*	4	Horizontal – 4"	53%
445RGZ5	4	Horizontal – 5"	44%
445RZD5	4	Horizontal – 5"	45%
445RDS	4	Horizontal – 4"	53%
445RD5S	4	Horizontal – 5.094"	53%
445RBS	4	Horizontal – 4"	53%
445RB5S	4	Horizontal – 5.094"	53%
445DD	4	Horizontal – 5.094"	44%
4RC-H	4	Horizontal – 4"	22%
4RC-V	4	Vertical – 4"	22%
4RY-H	4	Horizontal – 4"	29%
4RY-V	4	Vertical – 4"	29%
6375D*	6	Horizontal – 5.906"	57%
6375DS	6	Horizontal – 5.906"	57%
6375Z*	6	Horizontal – 5.906"	55%
6375ZS	6	Horizontal – 5.906"	55%
6375DSWRO	6	Horizontal – 5.906"	57%
6425DD	6	Horizontal – 5"	51%
645RB	6	Horizontal – 6"	48%
645DD*	6	Horizontal – 6"	44%
Extruded High Performance Louvers			
5DDWR	5	Horizontal – 2"	47%
6RRSV	6	Vertical – 1.5"	42%
745WR	7	Horizontal – 2.750"	49%

Z = J Style Blade
B = Baffle Blade
C = Chevron Blade

D = Drainable Blade
DD = Double Drainable Blade
WR = Wind Driven Blade

S = .081 Blades and .125 Frame
G = .062 Blades and .081 Frame
* = .125 Material Available

MODEL	BLADE SPACING	BLADE ANGLE
PTAC Louvers		
AEL-42	.775"	42° Standard
AEL-30	.775"	30° Standard
AEL-45	.775"	45° Standard
"HURRICANE" PTAC Louver		
AEL-42D-7020	.775"	42° Standard

Channel Frames, Flange Frames and Glazing Frames Available
Approved for thru-the wall application by all PTAC manufacturers.

MODEL	
Wallbox Louvers	
AEL-92-266	HDAL-45-H-CF
AEL-92-266-L	HDAL-45-H-CF-L
AEL-268-266	HDAL-45-H-FF
AEL-268-266-L	HDAL-45-H-FF-L
AEL-92-267	HDAL-45-V-CF
AEL-92-267-L	HDAL-45-V-CF-L
AEL-268-267	HDAL-45-V-FF
AEL-268-267-L	HDAL-45-V-FF-L
AEL-268-266-D	
AEL-268-266-D-L	

92 = Horizontal Blade
268 = Vertical Blade
266 = Channel Frame
267 = Flange Frame
L = Lattice

D= Double Stacked
H = Horizontal Blade
V = Vertical Blade
CF = Channel Frame
FF = Flange Frame

Available Products*:

- Air Discharge Louvers
- Adjustable Louvers
- Louver/Damper Combinations
- Acoustical Louvers
- Decorative Screens
- Dampers
- Various Bird and Insect Screens

* Available in Standard and Custom Colors

All louvers available in the following finishes:

- Mill
- Baked Enamel (50% Kynar)
- Kynar (70%)
- Kynar 3-Coat (70%)
- Clear Anodized
- Color Anodized (light, medium, and dark, bronze, black)
- Pearlidized

Thin Line Louvers

For PTAC Application

The **AEL-42** architectural extruded aluminum louver meets the required free area, bar arrangements, 42 degree blade angle and unit attachments for the PTAC units. At the same time it provides a thin slim line decorative appeal that enhances the outside appearance of any facility. It is the most frequently used louver with the PTAC through-the-wall units. This louver is available in standard or special sizes with various frame choices and finishes.



AEL-42, AEL-30, AEL-45

The **AEL-30** architectural extruded aluminum louver has 30 degree blade angle and is used with PTAC air conditioning/ heating units that has higher free air requirements. It is available in various sizes and finishes to meet the customer requirements for a more pleasing outside appeal where PTAC units are utilized.

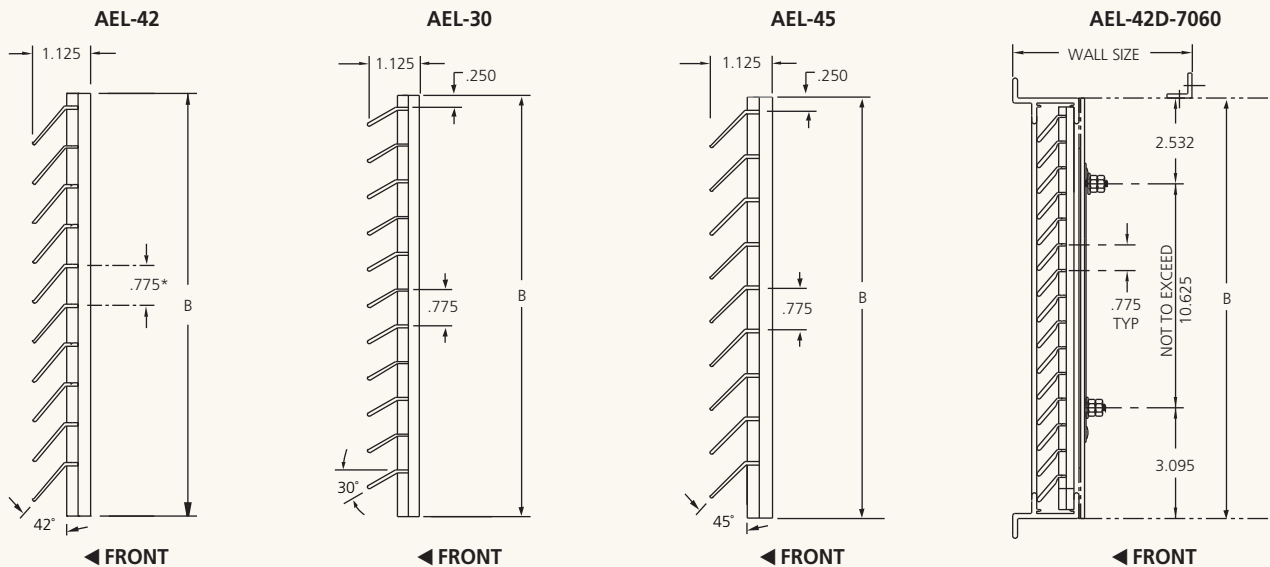
The **AEL-45** architectural slim line louver that is generally used for decorative purposes or as an intake or exhaust application where water penetration is not an issue. Some ptac units require the 45-degree blade as a standard louver.

The **AEL-42D-7060** is the best weather louver for PTAC applications. It is the only exterior PTAC louver that has

earned Florida Date county Certification — the most rigorous testing standards for hurricane protection.

The AEL Series louvers have various fabrication methods and numerous frame choices that allow their use as an integral part of a window system or separately as a stand alone approved louver.

Don't settle for less; ask for and receive the very best from the number one manufacturer of "slim-line" louvers. Specify Reliable's AEL Series to insure correct performance from your horizontal or vertical PTAC air conditioning/heating units.



MODEL	BLADE MATERIAL	BLADE SPACING	BLADE ANGLE
Thin Line Louvers for PTAC Application			
AEL-42	.048/.062 Extruded Aluminum	.775"	42° Standard
AEL-30	.048/.062 Extruded Aluminum	.775"	30° Standard
AEL-45	.048/.062 Extruded Aluminum	.775"	45° Standard
AEL-42D-7020	.125/.15 Extruded Aluminum	.775"	42° Standard

1. The AEL Series louvers are available with a variety of glazing, channel or flange frames.
2. Reliable is the leader in the Architectural PTAC louver industry. Reliable is approved for all thru-the wall louver applications.
3. Options Available: (Non-insulated, Insulated) Blankoff, Insect and Bird screens

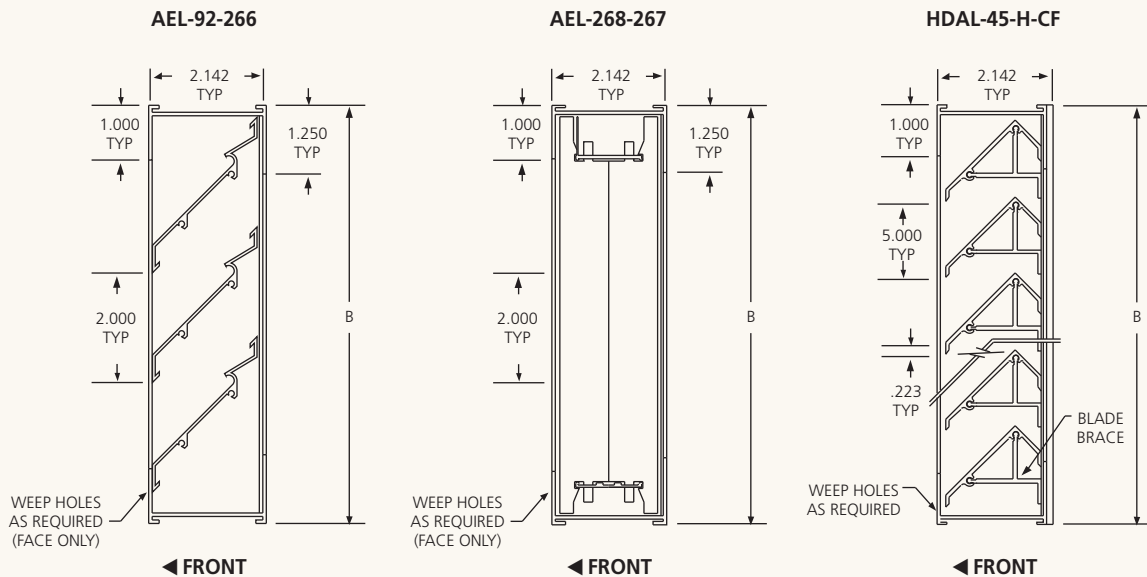
Wallbox Louvers

For Unit Ventilator Application

The wall box louver is available in three models. These include two horizontal and one vertical blade series. The louvers are generally used with unit ventilators and are approved by the major manufacturers in the heating and cooling industry. The louvers are available with a number of accessories. These include standard bird screen with options including; protective lattice, sub frames and other models of insect and bird screens. Standard finish is satin anodized with all other finishes optional. The **AEL-92**, **AEL-268** and **HDAL** are approved for different types of units. Call Reliable or your unit supplier for information on which louver best suits your unit ventilator.



AEL-92-266, AEL-268-267, HDAL-45-H-CF



MODEL	BLADE SPACING	BLADE TYPE
Wallbox Louvers For Unit Ventilator Application		
AEL-92-266	2.000"	Horizontal
AEL-268-267	1.000"	Vertical
HDAL-45-H-CF	1.500"	Horizontal

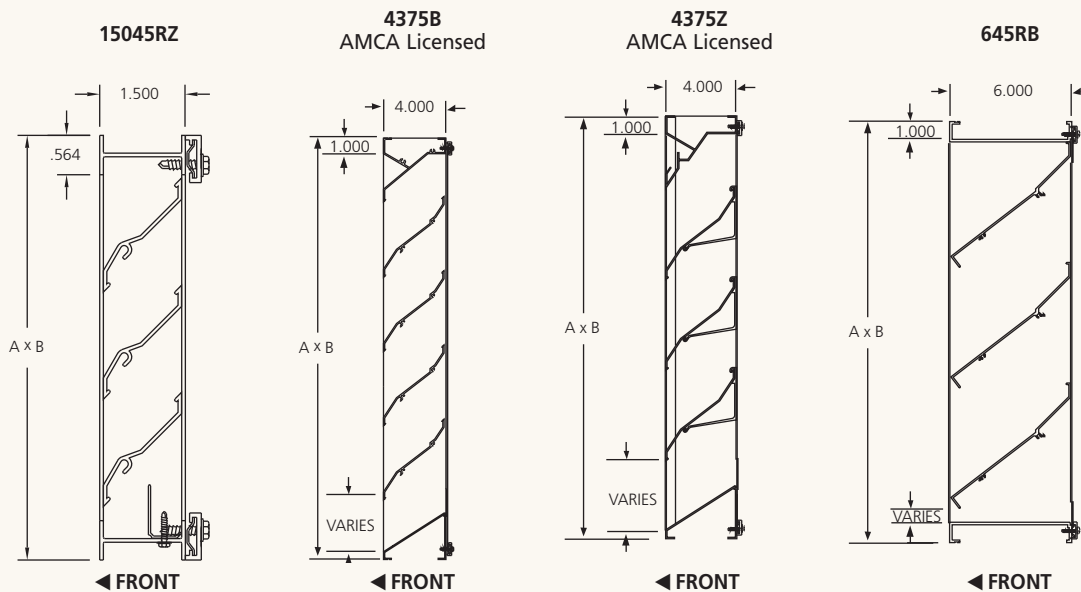
Options Available: Lattice, Subframes, Double stacked, Channel frame, Flange frame.

Stationary Louvers

The stationary blade louvers are equipped with standard "j" style or baffle blades. These louvers generally meet free area requirements and provide an architecturally pleasing appearance, while also providing functional usages. These louvers are available in 1.5", 2", 4" and 6" depth. All Reliable finishes are available and a standard insect or bird screen is included. These louvers are manufactured from all welded construction and are available in special shapes. The **15045RZ** provides good free area when water penetration is not a great concern. The **4375B** provides excellent free area and a baffle "storm" blade on a 45 degree angle, while the **4375Z** provides a standard blade on a 37.5 degree blade angle. The Z blade also has excellent free area. The **645RB** has 6" depth, while providing a 45 degree blade.



15045RZ, 4375B, 4375Z, 645RB



MODEL	FREE AREA	WATER PENETRATION fpm (m/min)	BLADE MATERIAL	BLADE SPACING	PRESSURE DROP INCHES W.G. (kpa)	BLADE ANGLE
Stationary Louvers						
15045RZ	50%	390 (119)	.062 Extruded Aluminum (119)	1.500"	.03 (.01)	45° Standard
4375B	52%	696 (212)	.081 Extruded Aluminum (212)	4.000"	.12 (.03)	37.5° Baffle
4375Z	54%	924 (282)	.081 Extruded Aluminum (245)	5.094"	.15 (.04)	37.5° Standard
645RB	48%	680 (207)	.081 Extruded Aluminum (307)	6.000"	.06 (.02)	45° Blade

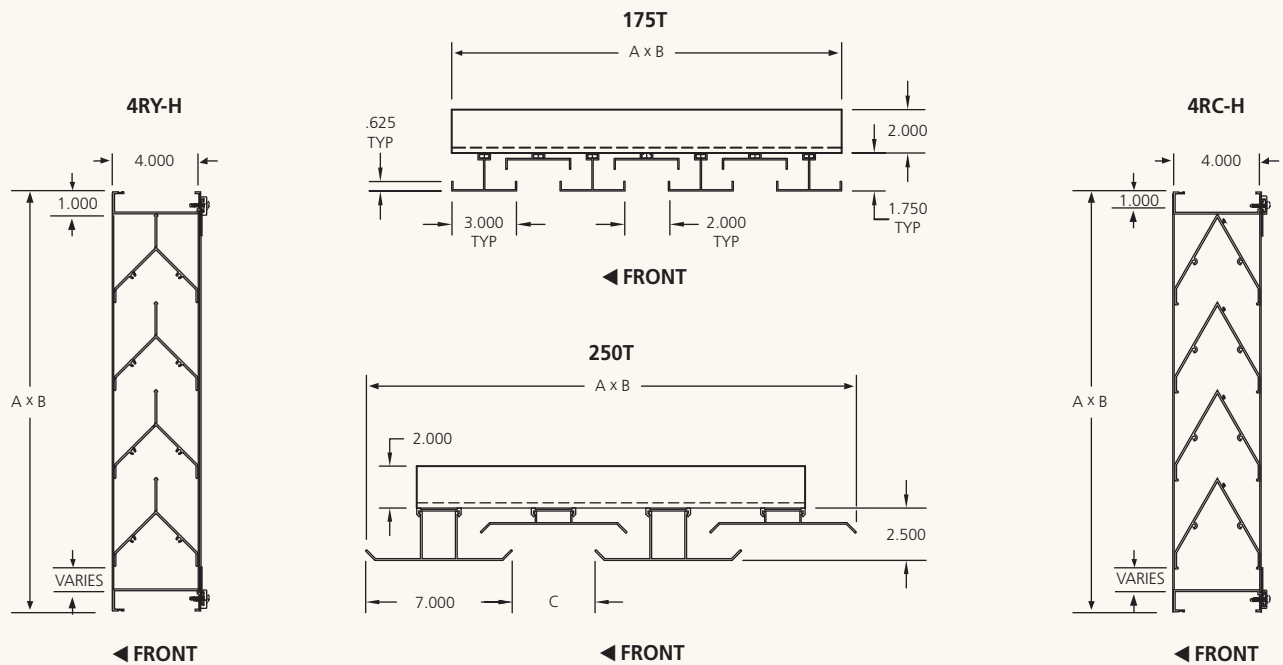
Sight Proof Louvers and Equipment Screens

The **4RY-H "Y"**, **175T**, **250T** shape blade, and **4RC-H** chevron shape blade models provide airflow with complete sight restriction and restricted access through the blades. Their extruded aluminum construction creates an attractive and sturdy barrier against vandals and general tampering. These models are well suited for applications in public areas where privacy and security are requirements. These models are also useful as vision barriers to conceal objects at ground level such as electrical/mechanical equipment or refuse dumpsters. A standard bird or insect is provided. Available with any painted or anodize finishes.



4RY-H, 4RC-H

175T



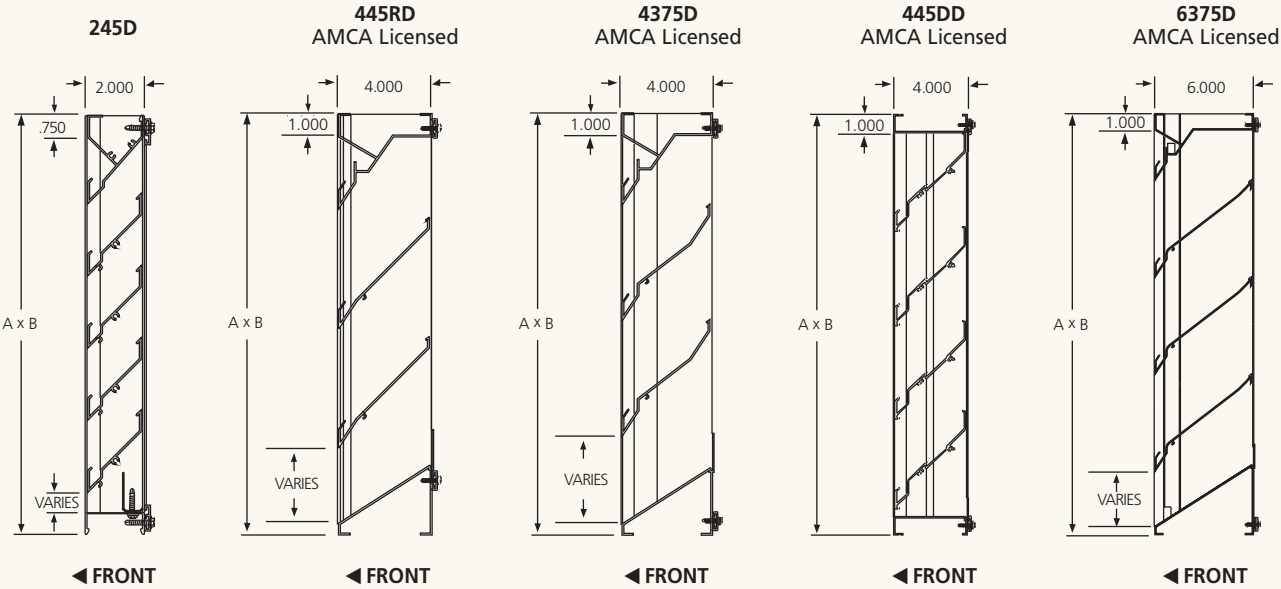
MODEL	FREE AREA	WATER PENETRATION (m/min)	BLADE MATERIAL	BLADE SPACING	BLADE TYPE
Sight Proof Louvers					
4RY-H	29%	500 (152)	.081 Extruded Aluminum	4.000"	Sightproof Y-Blade
175T	—	—	.081 Extruded Aluminum	2.000"	Vertical Sightproof
250T	—	—	.081 Extruded Aluminum	5-6.5"	Vertical Sightproof
4RC-H	22%	500 (152)	.081 Extruded Aluminum	4.000"	Sightproof Chevron Blade

Drainable Blade Louvers

Drainable louvers provide a gutter for water disposal. These louvers generally meet free area requirements, while providing extra water protection compared to the standard "j" or baffle blade. All finishes available. Standard insect or bird screen included. These drainable louvers are available in 2", 4" and 6" models. The drainable series louvers are all-welded construction and are available in special shapes. The **245D** provides minimal free area; although provides a gutter drain for rain disposal. The **445RD** has excellent free area, as well as a 45 degree drainable blade. The **4375D** also provides comparable free area with a 37.5 degree blade angle. The **6375D** provides 6" depth with drainable blade and outstanding free area of 57%.



245D, 445RD, 4375D, 445DD, 6375D



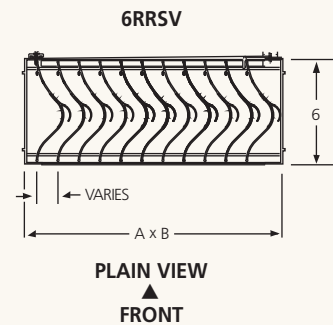
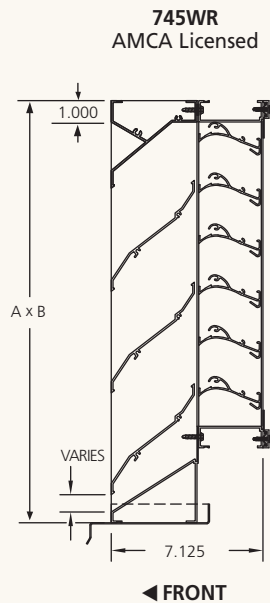
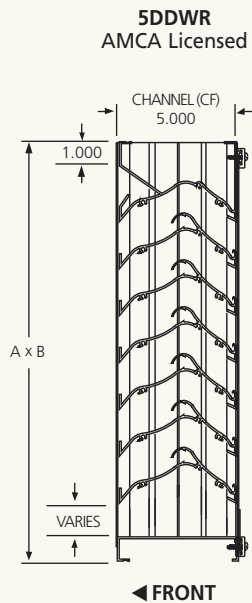
MODEL	FREE AREA	WATER PENETRATION	BLADE MATERIAL	PRESSURE DROP INCHES W.G. (kpa)	BLADE SPACING	BLADE ANGLE
Drainable Blade						
245D	38%	1197 (365)	.062 Extruded Aluminum	.15 (.04)	2.444"	45° Drainable
445RD	53%	1075 (328)	.081 Extruded Aluminum	.21 (.05)	4.000"	45° Drainable
4375D	54%	1006 (307)	.081 Extruded Aluminum	.15 (.04)	5.094"	37.5° Drainable
445DD	44%	974 (297)	.081 Extruded Aluminum	.19 (.05)	5.094"	45° Double Drainable
6375D	57%	1023 (312)	.081 Extruded Aluminum	.15 (.04)	5.906"	37.5° Drainable

Weather Resistant Louvers

The wind driven rain louvers provide extra wind driven rain protection in storm settings. The blade profiles are equipped to stop excessive water and drain properly. Free area percentages are acceptable in most cases. These louvers are available in any finish as well as standard bird or insect screens are included. The **5DDWR** is a 5 inch deep, 99% weather resistant louver with double drains. The **745WR** is 8" deep providing exceptional water protection as well. The **6RRSV** is a 6" vertical high performance louver.



5DDWR, 745WR, 6RRSV



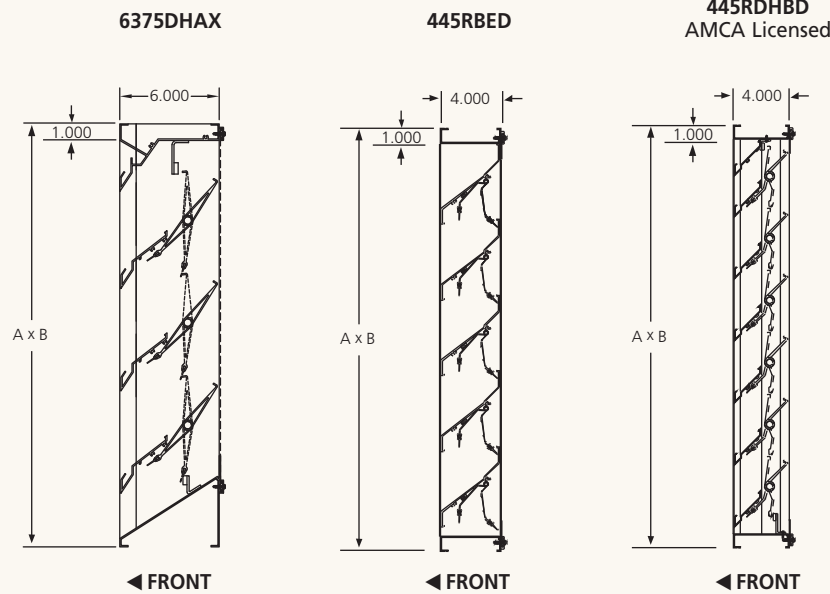
MODEL	FREE AREA	RAIN CLASS %	BLADE MATERIAL	PRESSURE DROP INCHES W.G. (kpa)	BLADE SPACING	FREE AREA VELOCITY fpm (m/min)
Weather Resistant Louvers						
5DDWR	47%	A/99.3	.081 Extruded Aluminum	.17 (.04)	2.000"	1139 (347)
745WR	49%	B/96.2	.081 Extruded Aluminum	.18 (.04)	2.750"	874 (264)
6RRSV	42%	A/100	.125 Extruded Aluminum	.19 (.04)	1.500" Vertical	1479 (450)

Adjustable Louvers & Combination Louver/Dampers

The adjustable louver provides operable blades, with various blade profiles being optional. The open/close function of the blade is available with either manual or electric actuator options. The louver/damper combo provides a louver blade profile with the open/close functions of the damper being adjustable with manual or actuator options. All models are equipped with standard insect or bird screens. All finishes and a variety of actuators are available. All combination louvers are provided with a blade and jamb seal for tight closure. The **6375DHAX** is a 6" combination louver/damper that features an airfoil operable blade that allows larger operating sections. The **445RBED** is a 4", 45 degree backdraft damper/louver combination; with the **445RDHBD** providing a 45 degree drainable/ louver damper combination.



445RDABL, 445RBED, 6375DHAX



MODEL	FREE AREA	WATER PENETRATION (m/min)	BLADE MATERIAL	PRESSURE DROP INCHES W.G. (kpa)	BLADE ANGLE
Adjustable Louvers And Combination Louver/Dampers					
6375DHAX	47%	1169 (356)	.125 Extruded Aluminum	.20 (.05)	37.5° Adjustable
445RBED	60%	—	.081 Extruded Aluminum	—	45° Backdraft Damper-Louver Combo.
445RDHBD	39%	974 (297)	.081 Extruded Aluminum	.13 (.03)	45° Damper/Louver Combo.

Standard Colors

BAKED ENAMEL FINISH – 50% KYNAR



LB – Lite Bronze



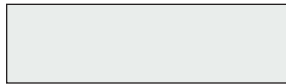
MB – Medium Bronze



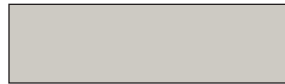
DB – Dark Bronze



EW – Off White



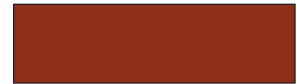
GW – Gloss White



WS – White Stone



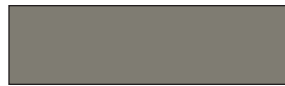
BR1 – Brick Red 1



BR3 – Brick Red 3



BR5 – Brick 5



SLG – Slate Gray



MBL – Medium Blue



MGN – Medium Green

KYNAR PAINTED FINISH



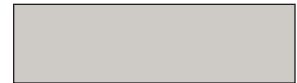
K Bone White



K Surrey Beige



K Taupestone



K Sandstone



K Brick Red



K Slate Blue



K Colonial Red



K Royal Blue



K Patina Green



K Seal Brown



K Dark Brown



K Evergreen

CUSTOM COLORS AVAILABLE

We can match your color. Color chip or sample should be sent to our “Customer Service” Department. A Sample chip will be returned to you for your approval. Please contact our Sales Department if you have any questions.

**Colors may vary slightly with paint lots.*

AMCA LICENSED RATINGS

Many Reliable models are AMCA licensed, with air performance and water penetration data ratings based on tests and procedures conducted in accordance with AMCA Publication 511. All Reliable louvers are tested with mill finish.

Reliable certifies the 4375B, 4375Z, 445RD, 4375D, 445DD, 6375D, 5DDWR, 745RR and 445RDHBD are licensed to bear the AMCA Certified Ratings Seal. Ratings do not include the effect of bird screen.



ARCHITECTURAL LOUVERS & GRILLES

1300 Enterprise Road • Geneva, AL 36340

Tel: 1-800-624-3914 • Fax: 1-800-508-1469 • www.reliablelouvers.com