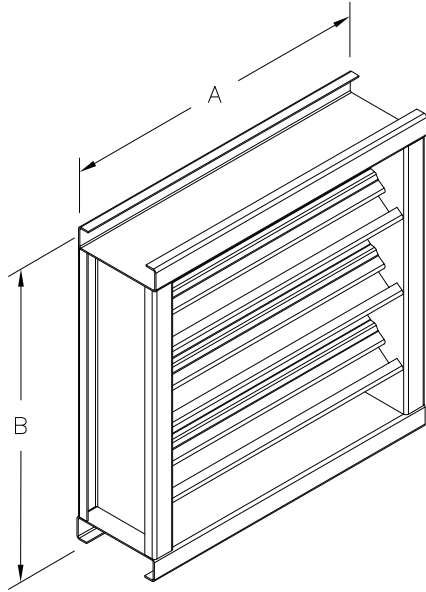


4375FD

STATIONARY LOUVERS



STANDARD CONSTRUCTION

- 4" DEEP 18 GAGE GALVANIZED STEEL FRAME, 6063-T5 ALLOY.
- 18 GAGE GALVANIZED STEEL. DRAINABLE BLADES ARE POSITIONED AT 37 1/2° ANGLE AND SPACED APPROX. 3 1/2" CENTER TO CENTER
- 1/2" MESH X 19 GAGE GALVANIZED BIRD SCREEN IN A REMOVABLE FRAME. SCREEN ADDS APPROX. 1/2" TO LOUVER DEPTH.

MODEL SIZES

- MINIMUM SIZE: 12" x 12"
- MAXIMUM SIZE (SINGLE SECTION) 120" x 90"

NOTE: LOUVERS LARGER THAN THE MAXIMUM SINGLE SECTION SIZE WILL REQUIRE FIELD ASSEMBLY OF SMALLER SECTIONS.

PRODUCT FEATURES

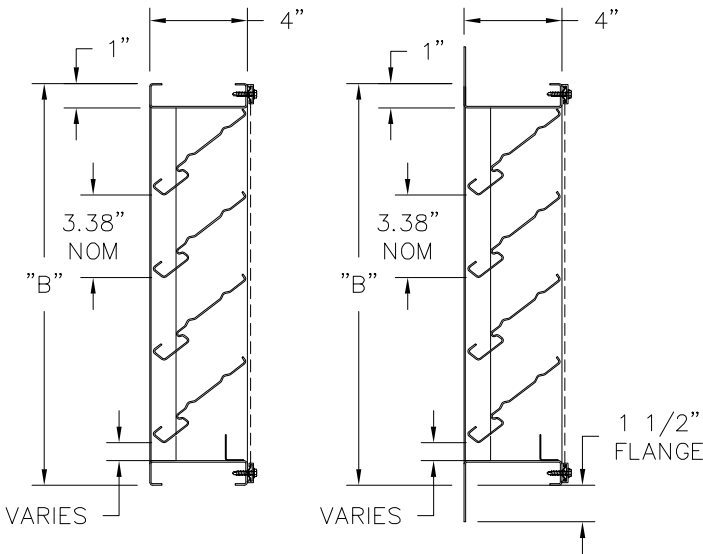
- PUBLISHED PERFORMANCE RATINGS BASED ON TESTING IN ACCORDANCE WITH AMCA PUBLICATION 511.
- HIGH FREE AREA, LOW PRESSURE DROP, LOW WATER PENETRATION
- DRAIN GUTTERS IN EACH BLADE AND DOWNSPOUTS IN JAMBS AND MULLIONS TO DRAIN WATER FROM LOUVER FOR MINIMUM WATER CASCADE FROM BLADE TO BLADE.
- ECONOMICAL GALVANIZED STEEL CONSTRUCTION.

MODEL OPTIONS

- EXTENDED SILL
- HINGED FRAME
- FRONT AND REAR SECURITY BARS
- FILTER RACKS
- BIRD SCREENS (REFERENCE SCREEN SUBMITTAL)
- INSECT SCREENS (REFERENCE SCREEN SUBMITTAL)

FINISHES

- PRIME COAT
- BAKED ENAMEL (MODIFIED FLOUROPOLYMER)
- KYNAR
- EPOXY
- PEARLEDIZE
- PRIME COAT



CHANNEL (CF)

FLANGE (FF)

TAG	QTY	ACTUAL SIZE		FRAME
		WIDTH (A)	HEIGHT (B)	

PROJECT:	LOCATION:
ARCH./ENGR.:	CONTRACTOR:
REPRESENTATIVE:	DATE:

ALL STATED SPECIFICATIONS ARE SUBJECT TO CHANGE WITH OUT NOTICE OR OBLIGATION.