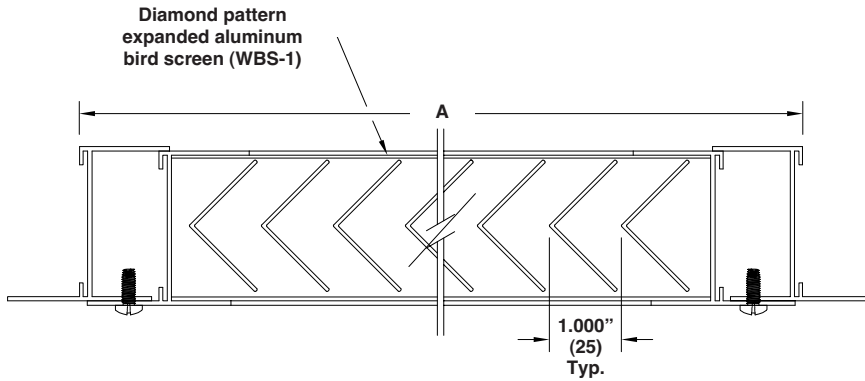




### AEL-268-267-D-L W/ 267 SUB-FRAME



#### STANDARD CONSTRUCTION

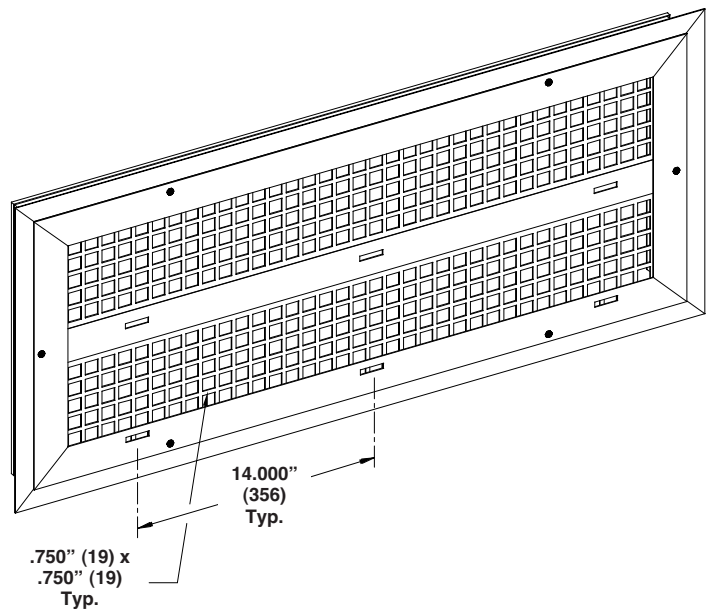
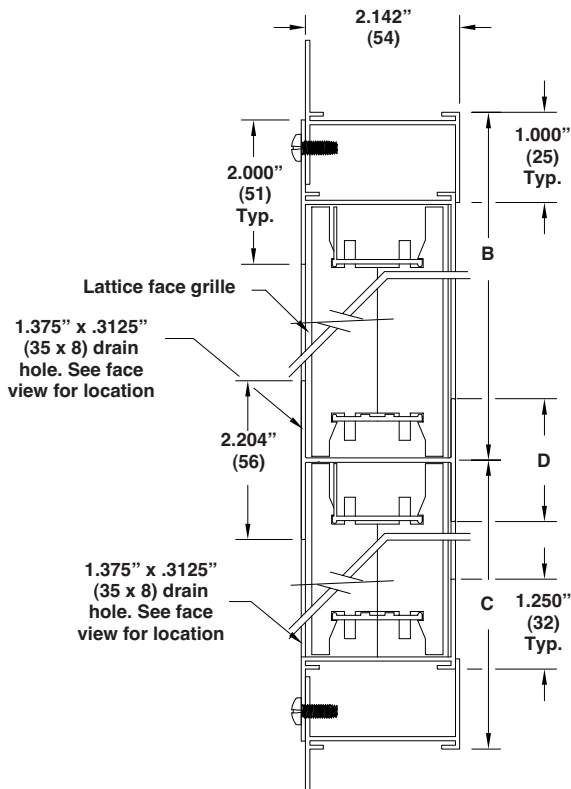
- Extruded aluminum; 6063-T5
- Double stack vertical type unit ventilator louver w/flange frame, lattice and flange sub-frame
- Min. size B.S. 6" x 19" (152 x 483)
- Max. size B.S. 108" x 23" (2743 x 584)

#### OPTIONS

- Clear or anodized finish
- Prime coat
- Baked Enamel (Kynar 50%)
- Pearledized 50 or 70
- Kynar 70%

**Notes:**

1. Face view for illustration purposes only.
2. D = Blank-off
3. Dimensions in inches, parenthesis ( ) indicate millimeters



UNIT TYPE	UNIT MODEL NO.	ACTUAL SIZE				VARIATIONS
		A	B	C	D	
PROJECT ARCH./ENGR. REPRESENTATIVE			LOCATION CONTRACTOR DATE			