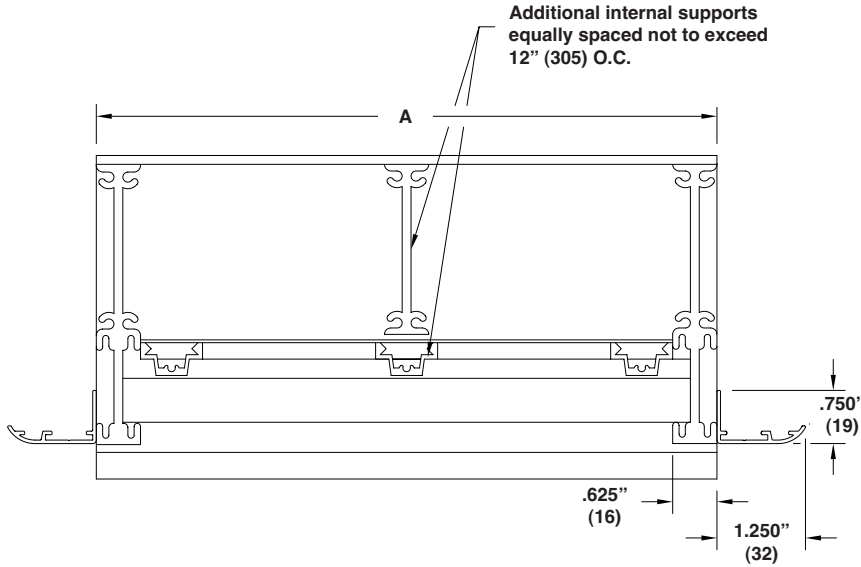




XHD-AEL-42 W/ 34 FRAME



STANDARD CONSTRUCTION

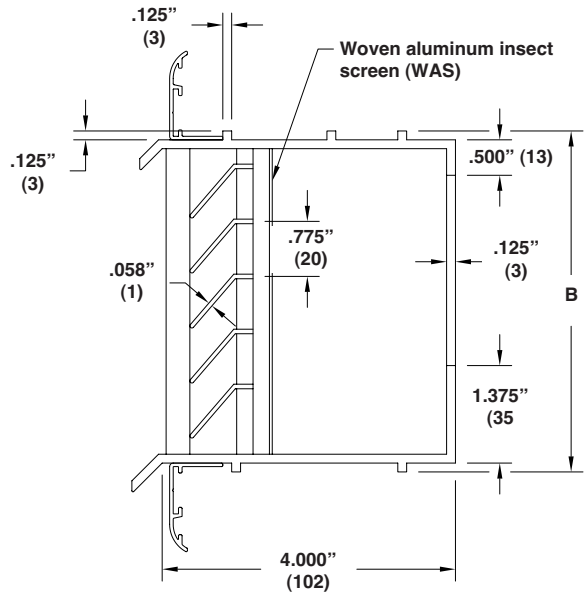
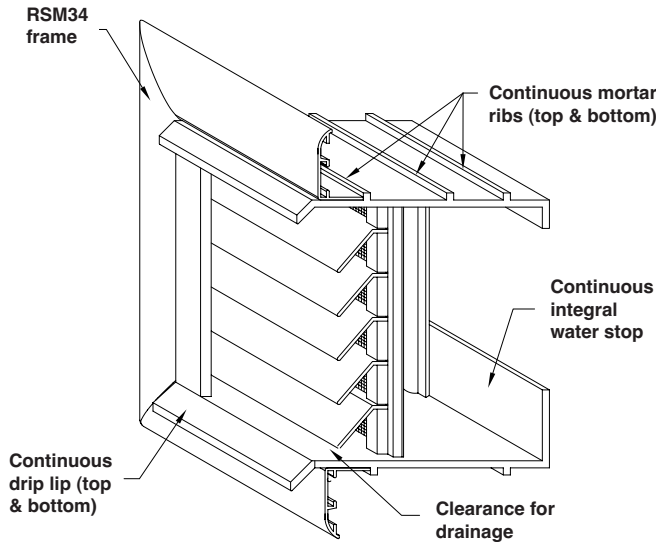
- Extruded aluminum; 6063-T5

OPTIONS

- Clear or anodized finish
- Prime coat
- Baked Enamel (Kynar 50%)
- Pearledized 50 or 70
- Kynar 70%

Notes:

1. Face view for illustration purposes only
2. Dimensions in inches, parenthesis () indicate millimeters



UNIT TYPE	UNIT MODEL NO.	ACTUAL SIZE		VARIATIONS
		A	B	
PROJECT ARCH./ENGR. REPRESENTATIVE		LOCATION CONTRACTOR DATE		